

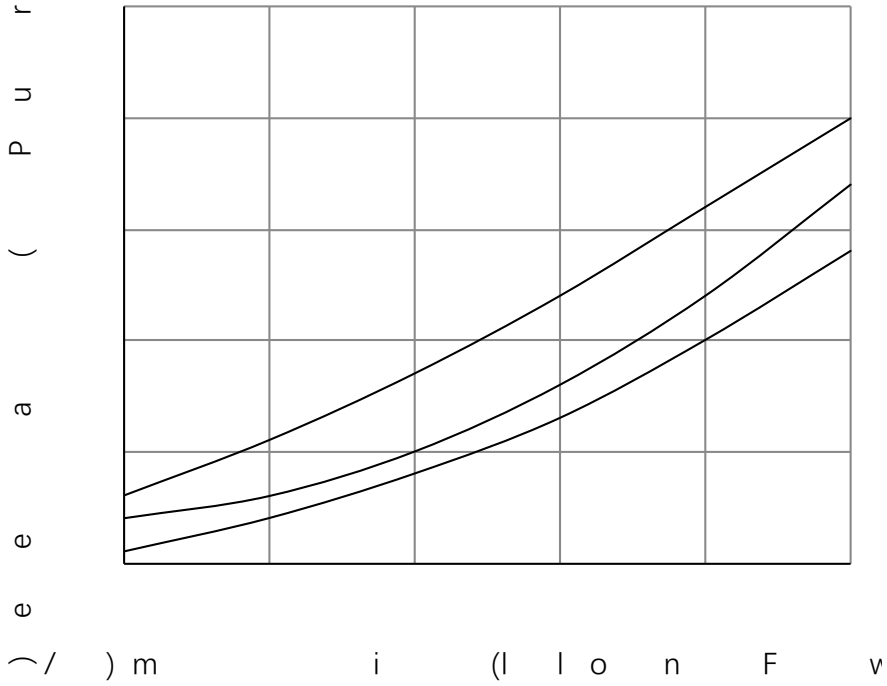
# Check Valves

## HTCV09U- COA Valve Series



A screw-in, direct acting, poppet type check valve. Main use is as a blocking or load-holding device. The valve allows flow passage from port 1 to 2: the cartridge has a fully guided check which is spring-biased closed until sufficient pressure is applied at port 1 to open to 2. The flow is blocked in the opposite direction (2 to 1).

Poppet is hardened and ground to guarantee minimal wear and to extend service life. All external surfaces are zinc plated and corrosion-proof. All valve parts are made of high strength steel. Compact size. Industry common cavity.

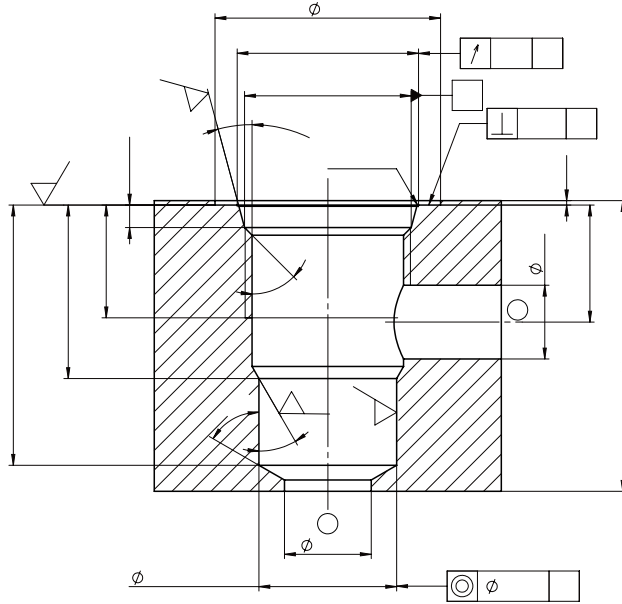


P/Q Toil=40° C 46cSt

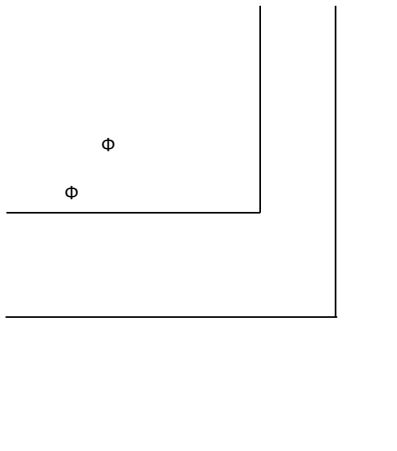
Note: The performance chart illustrates flow handling capacity. P/Q curves are recorded at Toil=40° C and 46cSt.



SAE09



HTCV09U - C0A- 0 \* - 000



Spring model	Cracking pressure
Y	0.5bar
N	1.0bar
S	2.5bar
B	3.0bar
P	5.0bar
G	8.0bar
V	9.0bar